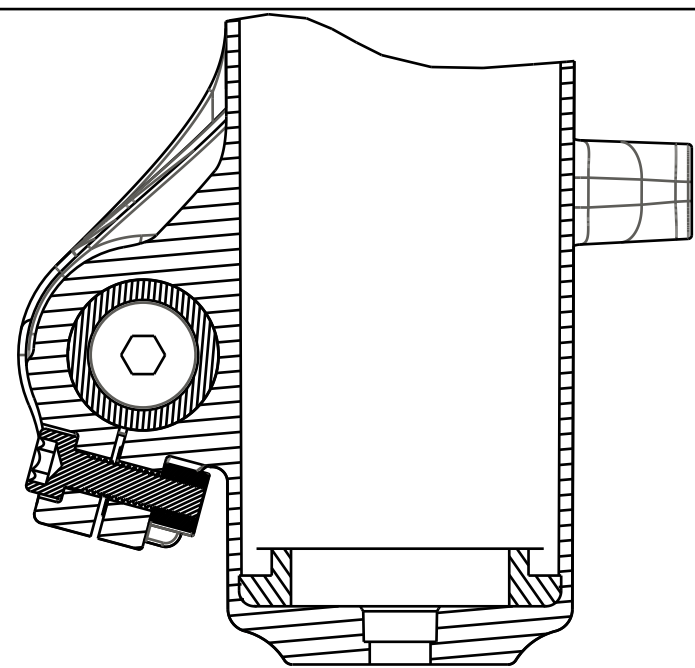


4

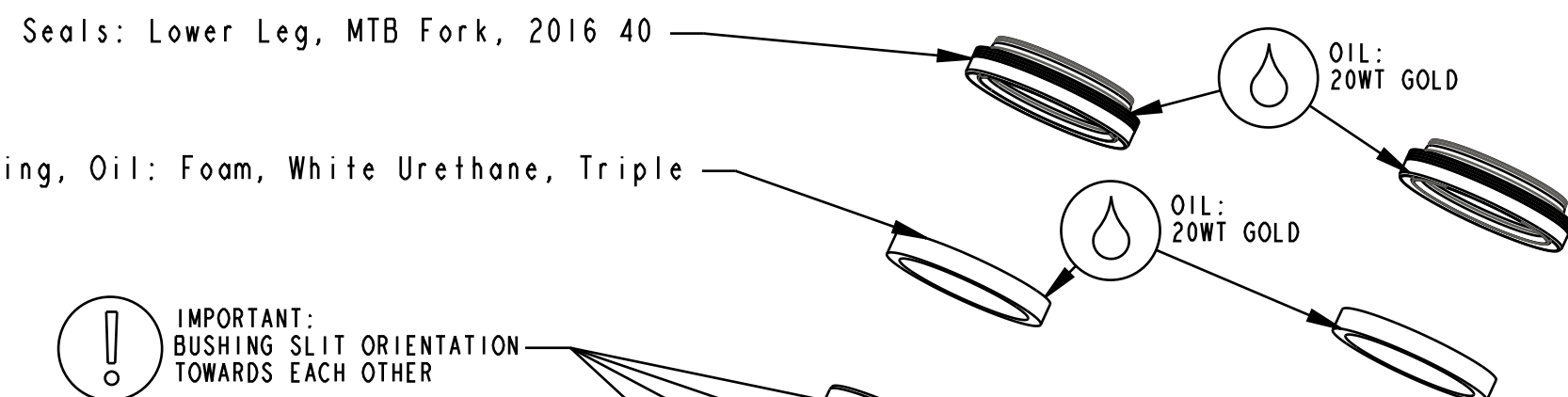
3

2

1



SECTION B-B
SCALE 1:1



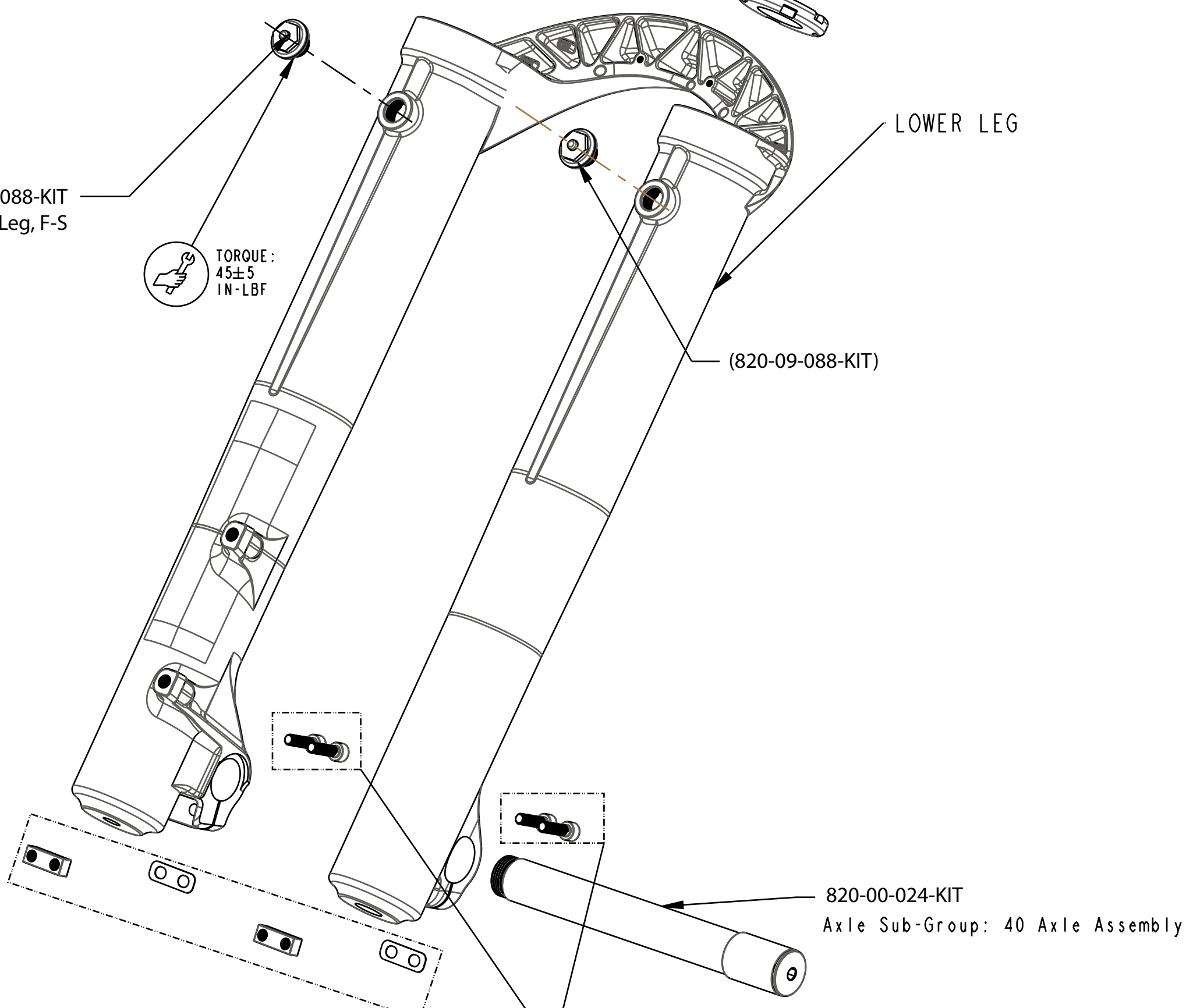
IMPORTANT:
BUSHING SLIT ORIENTATION
TOWARDS EACH OTHER

- 008-01-022 Bumper, Bottom-Out, 011-016 40 (Small I.D.)
- 008-01-010 Bumper, Bottom-Out, 05-016 40 (Large I.D.)

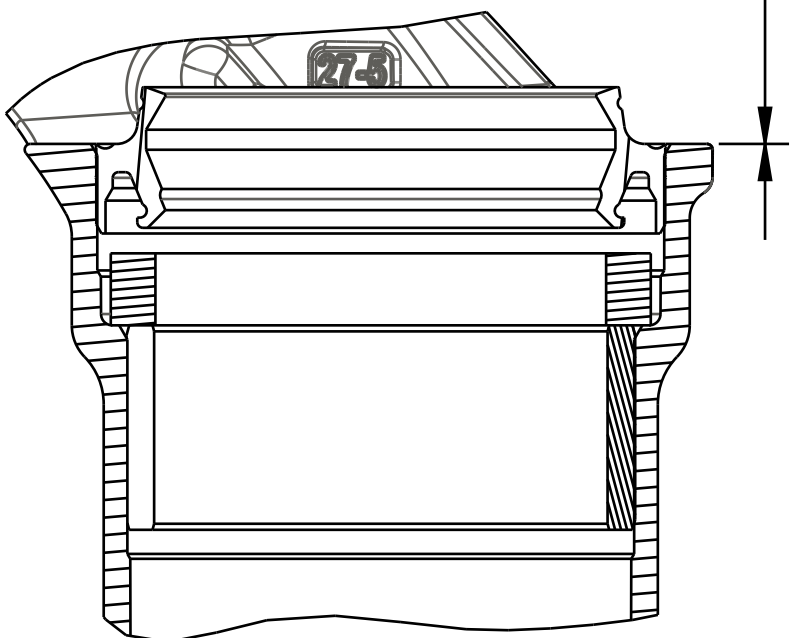
UPPER BUSHING

LOWER BUSHING

INSTALL BUSHINGS INTO THE LOWER LEG WITH THE SLITS FACING EACH OTHER TOWARDS THE CENTER OF THE LOWER LEG



0,00^{+0,00}
-0,50
[.000^{+0,000}
-.019]



SECTION A-A
SCALE 1.5:1

- PROPRIETARY -
THIS DOCUMENT CONTAINS CONFIDENTIAL, PROPRIETARY INFORMATION
THAT IS FOX PROPERTY. DO NOT DISCLOSE TO OR DUPLICATE
FOR OTHERS EXCEPT AS AUTHORIZED BY FOX.

FOX FOX Factory, Inc. Ph 831-768-1100
130 Hangar Way, Watsonville, CA 95076 USA Fax 831-768-9312

TITLE
Assy Dwg: 2021 Fox 40 and
Marzocchi 58 Lower Leg Assy

SIZE DWG. NO.
C

PLOT SCALE 1:2 SHEET 1 OF 1

4

3

2

1

ProE ASSEM